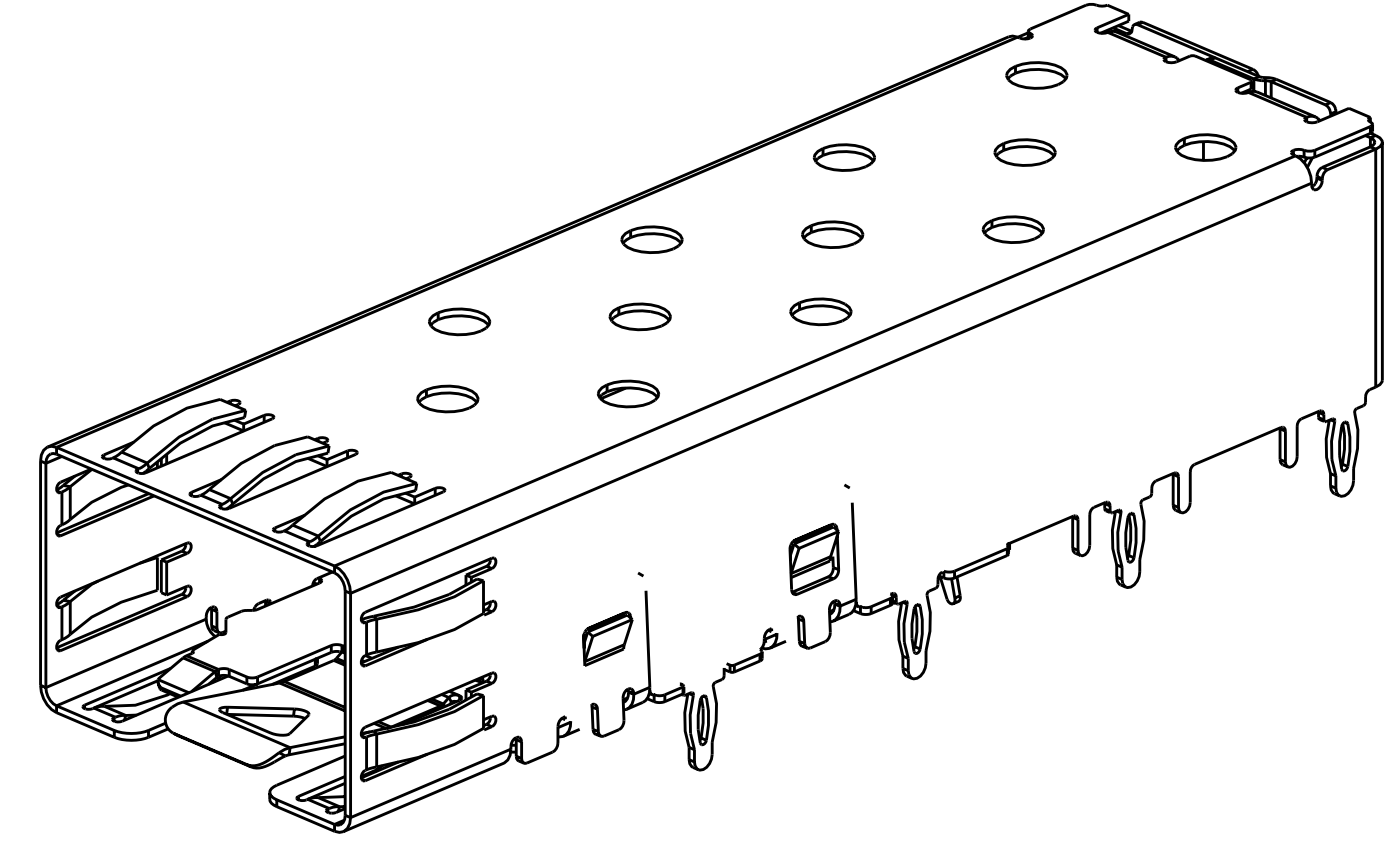
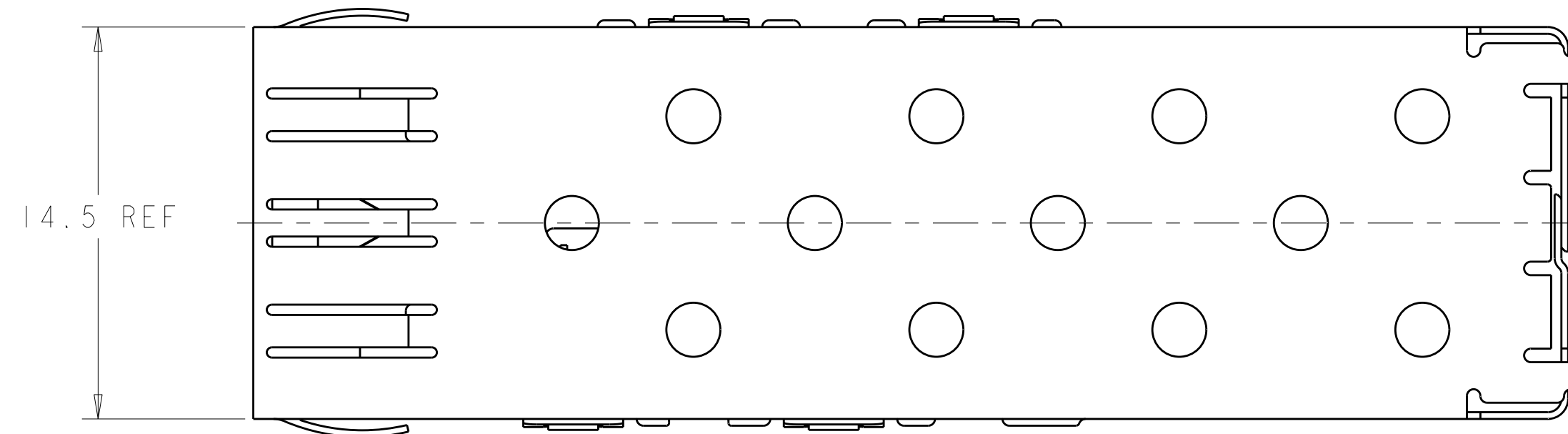
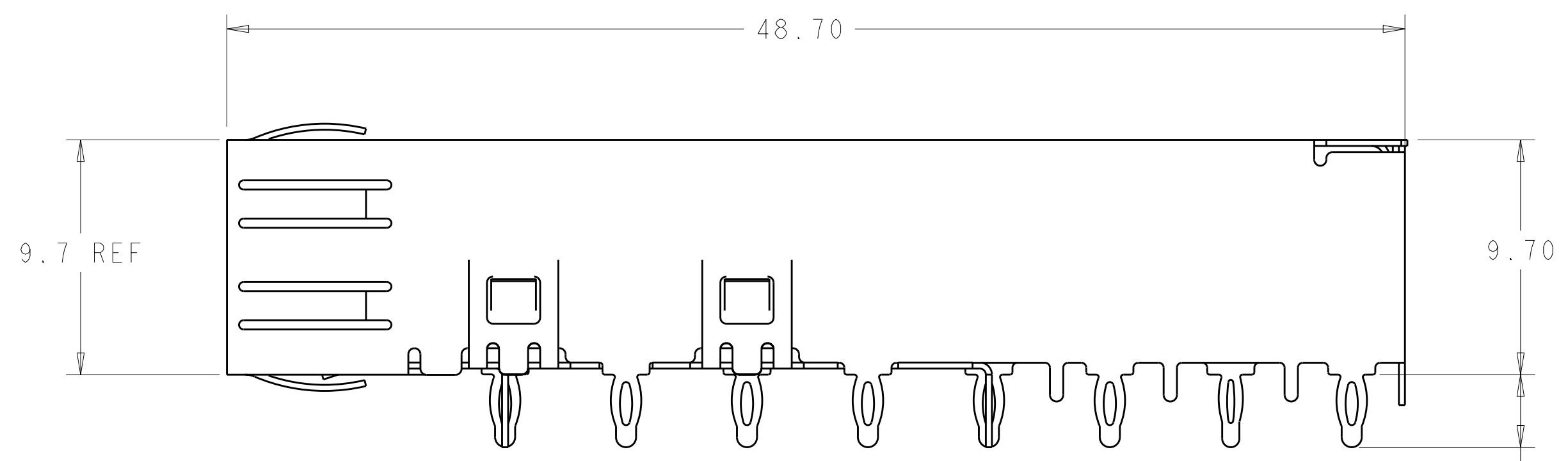
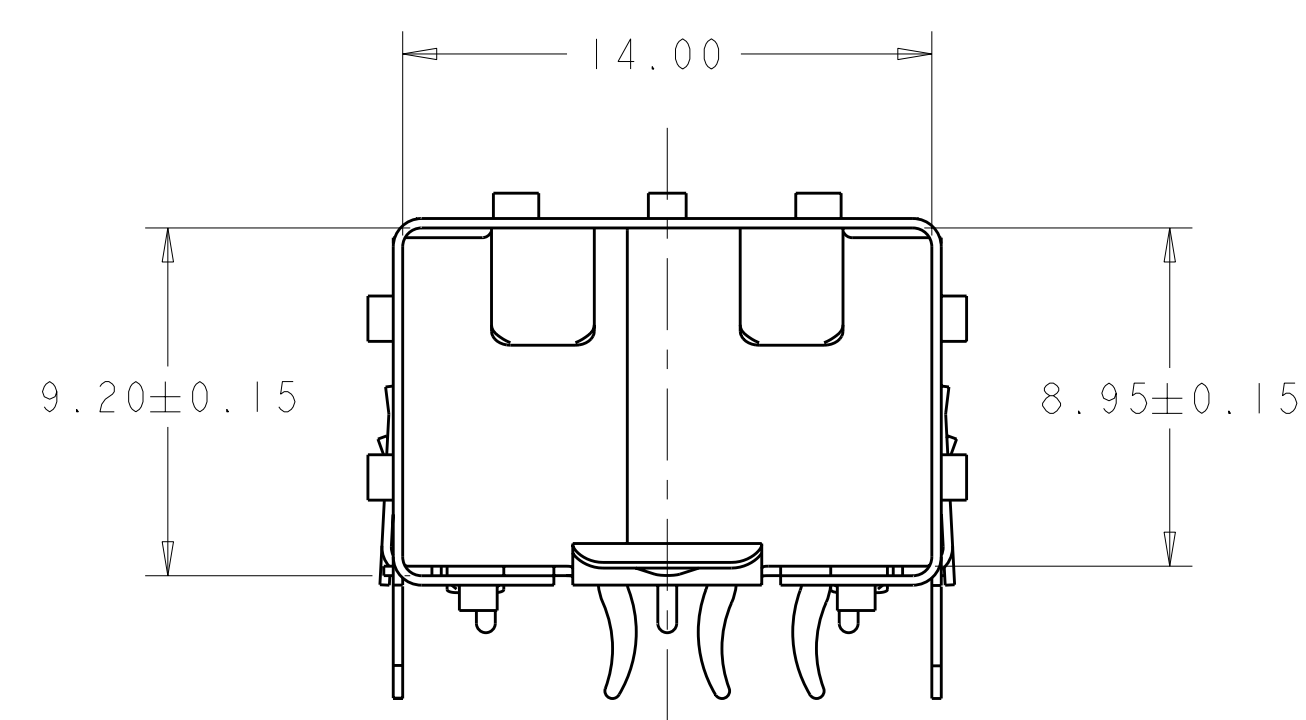


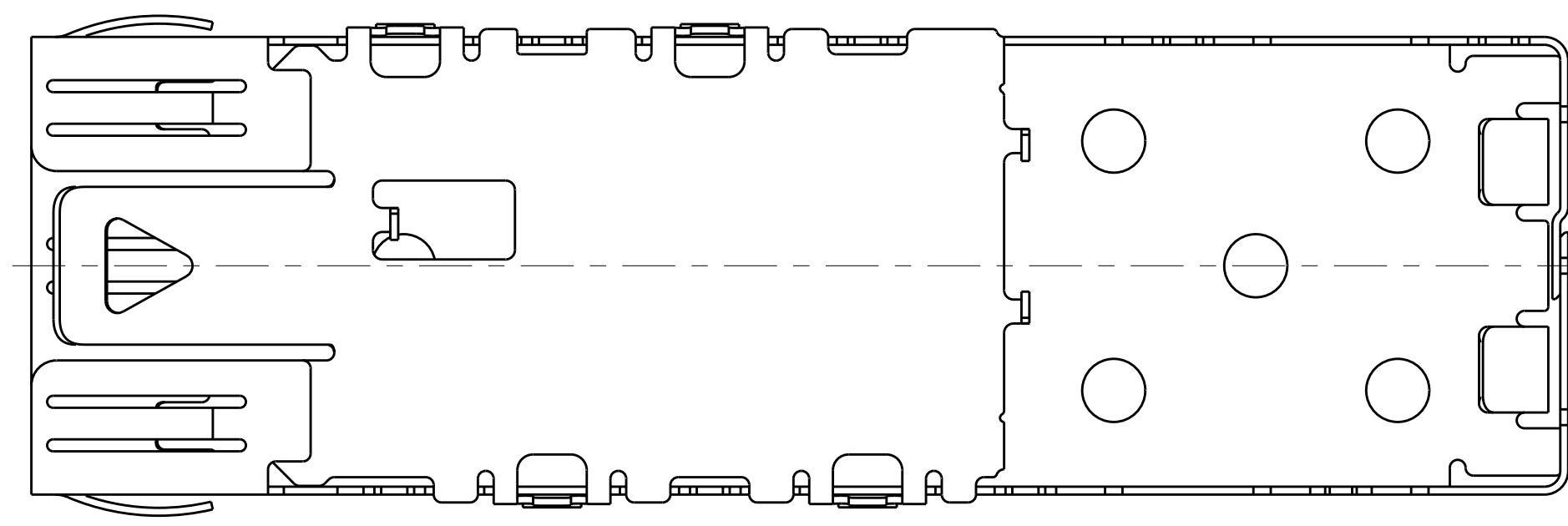
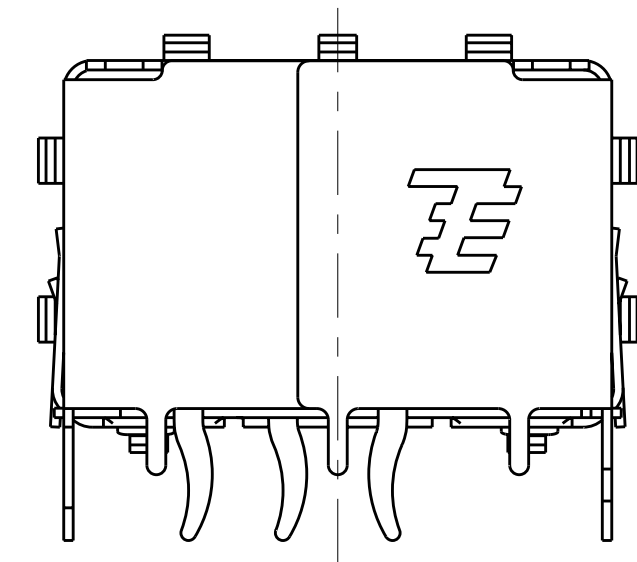
LOC	DIST	REVISIONS			
GP	00	REV	DATE	BY	APPD
		C2	290C107	TZ	SY



SCALE 4:1



3.00 TYP
 TAIL LENGTH



- 1 MATERIAL: 0.25 THICK COPPER ALLOY.
- 2 FINISH: TIN. NONPLATED EDGES PERMISSIBLE.
- 3. SFP MSA COMPATIBLE.
- 4 PADS AND VIAS CHASSIS GROUND.
- 5 DATUM AND BASIC DIMENSION ESTABLISHED BY CUSTOMER.
- 6. MINIMUM PC BOARD THICKNESS:
 SINGLE SIDED= 1.45
 DOUBLE SIDED= 3.00

Copyright 2002
 Tyco Electronics Corp
 All Rights Reserved

DIMENSIONS:		TOLERANCES UNLESS OTHERWISE SPECIFIED:		DWN M.E. SHIRK 02AUG01		Tyco Electronics Harrisburg, PA 17105-3608	
mm	0 PLC ±	1 PLC ±0.10	2 PLC ±	3 PLC ±	4 PLC ±	5 PLC ±	6 PLC ±
	ANGLES ±						
MATERIAL	FINISH	PRODUCT SPEC	APPLICATION SPEC	SIZE	CAGE CODE	DRAWING NO	RESTRICTED TO
		108-1950	114-13120	A1100779	C=1489669		
CUSTOMER DRAWING				SCALE	SHEET	OF	REV
				5:1	1	3	C2

AS SHOWN	1489669-1
DESCRIPTION	PART NUMBER

8

7

6

5

4

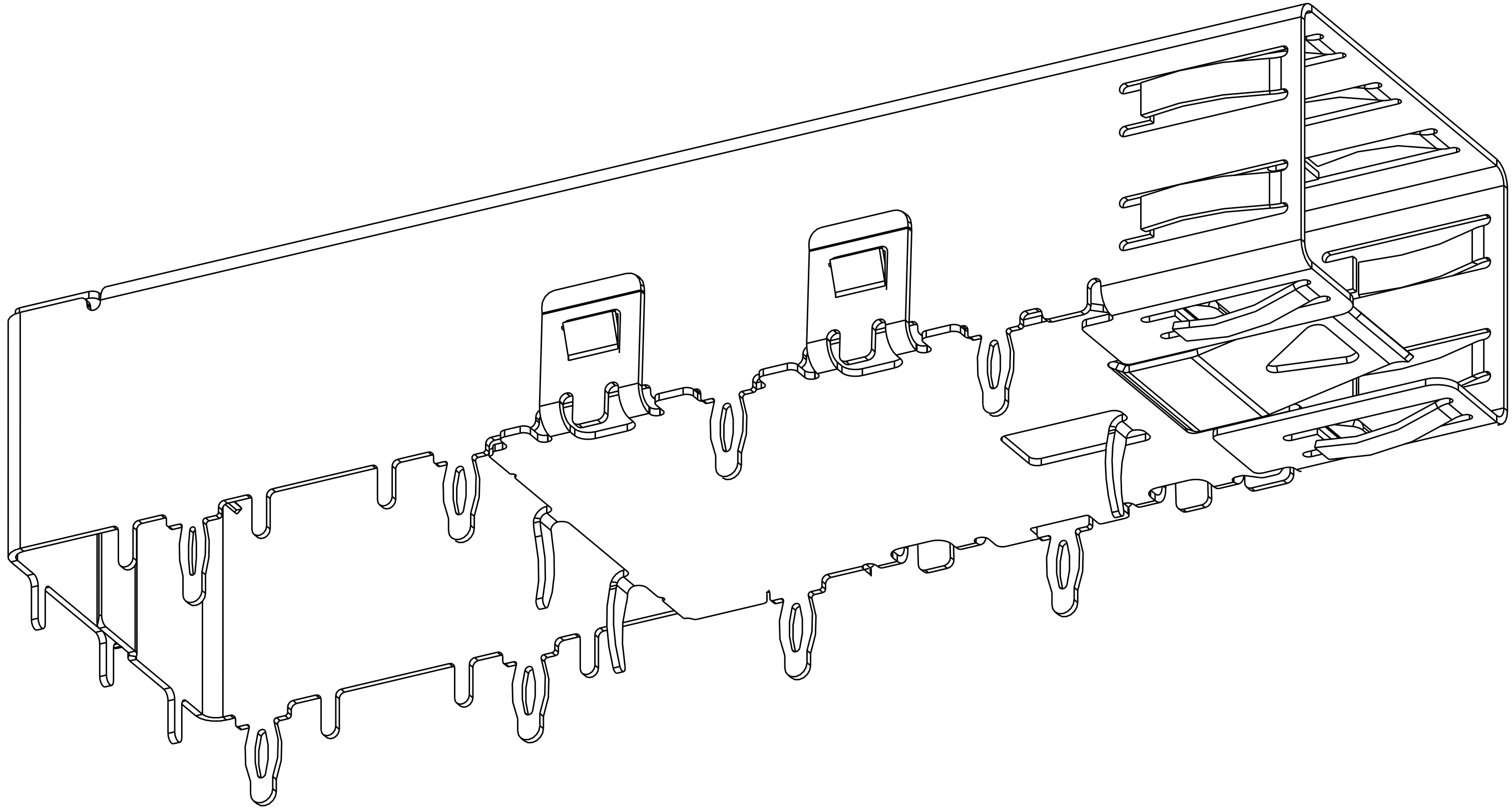
3

2

1

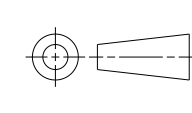
THIS DRAWING IS UNPUBLISHED. RELEASED FOR PUBLICATION 20
 © COPYRIGHT 20 BY TYCO ELECTRONICS CORPORATION. ALL RIGHTS RESERVED.

LOC	DIST	REV	DATE	BY	APPD
GP	00				

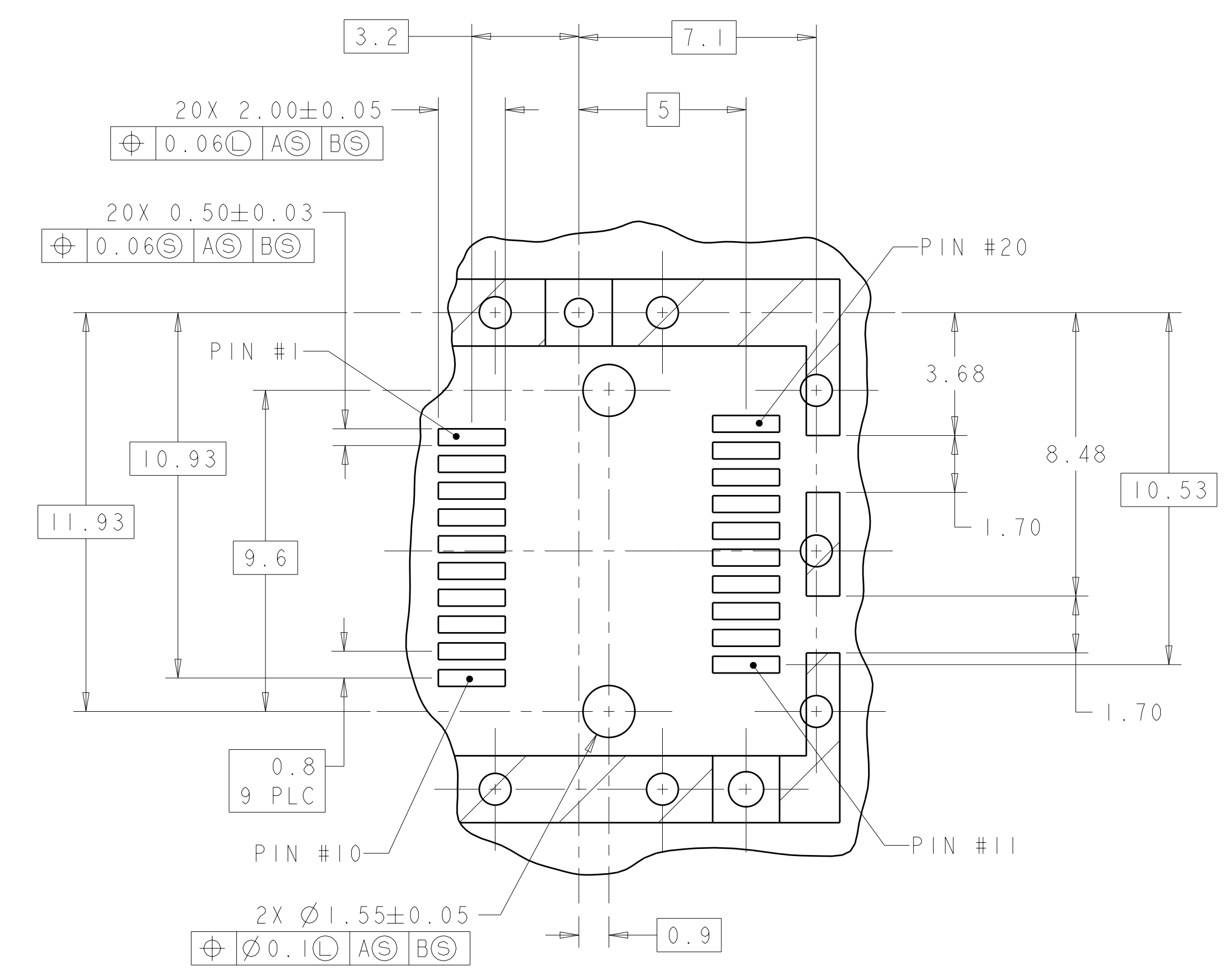
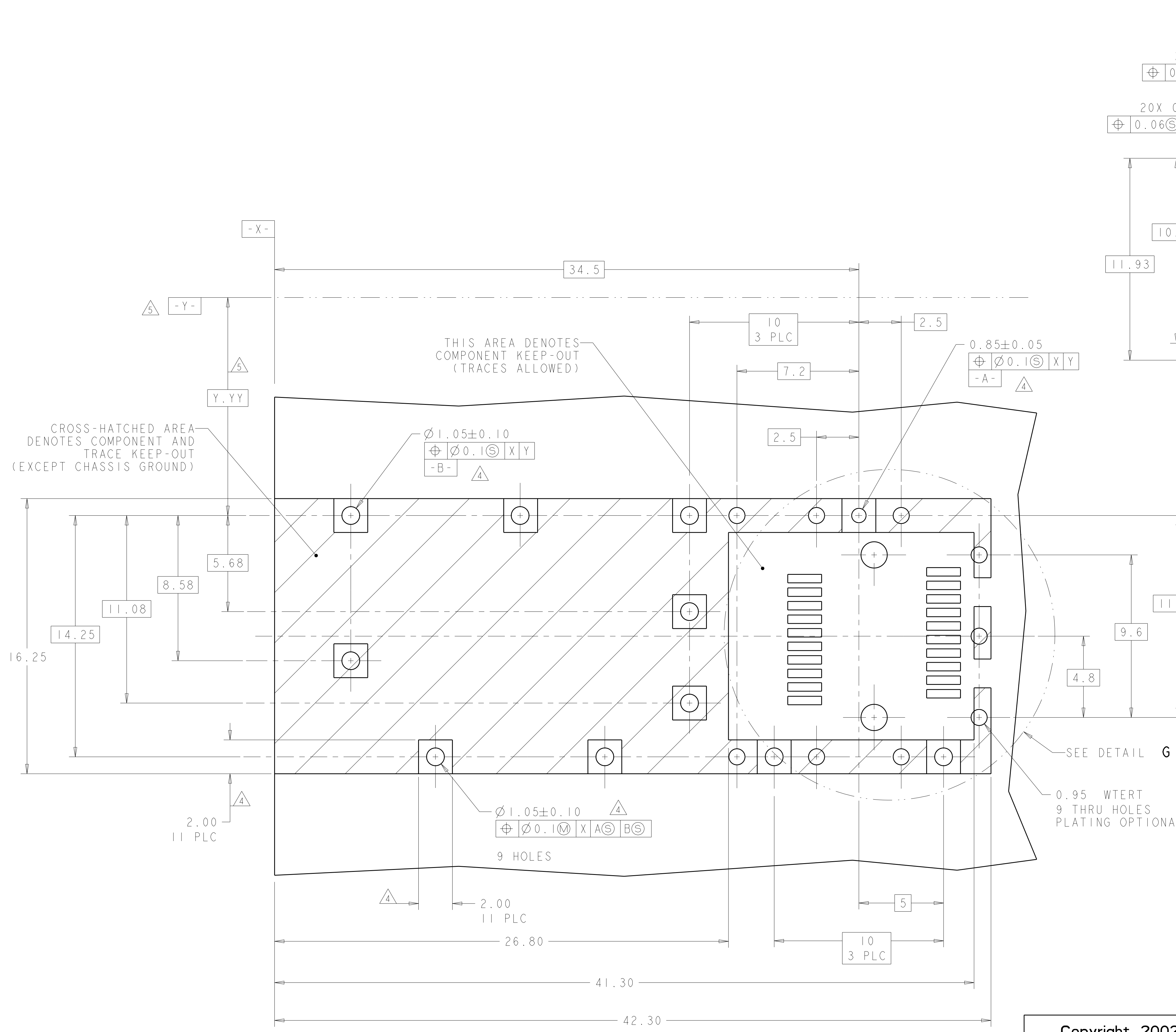


SCALE 8:1

Copyright 2002
 Tyco Electronics Corp
 All Rights Reserved

<small>THIS DRAWING IS UNPUBLISHED. RELEASED FOR PUBLICATION 20 © COPYRIGHT 20 BY TYCO ELECTRONICS CORPORATION. ALL RIGHTS RESERVED.</small>		DWN M.E. SHIRK 02AUG01 CHK J. KOPPENHEFFER 31MAY02 APVD M. WALMSLEY 31MAY02	Tyco Electronics Harrisburg, PA 17105-3608
DIMENSIONS: mm 	TOLERANCES UNLESS OTHERWISE SPECIFIED: 0 PLC ± 1 PLC ±0.10 2 PLC ± 3 PLC ± 4 PLC ± ANGLES ±	NAME CAGE ASSEMBLY, 11 PRESS FIT, SFP	RESTRICTED TO
MATERIAL	FINISH	PRODUCT SPEC 108-1950 APPLICATION SPEC 114-13120 WEIGHT CUSTOMER DRAWING	SIZE CAGE CODE DRAWING NO A100779C=1489669 SCALE 5:1 SHEET 2 OF 3 REV C2

LOC	DIST	REV	DATE	BY	APPD
GP	00				
DESCRIPTION			DATE	BY	APPD
SEE SHEET 1					



DETAIL G
SCALE 8:1

SEE DETAIL G
0.95 WERT
9 THRU HOLES
PLATING OPTIONAL

RECOMMENDED PCB LAYOUT
SCALE 8:1

Copyright 2002
Tyco Electronics Corp
All Rights Reserved

<small>THIS DRAWING IS UNPUBLISHED. RELEASED FOR PUBLICATION. COPYRIGHT 20 BY TYCO ELECTRONICS CORPORATION. ALL RIGHTS RESERVED.</small>		DWN: M.E. SHIRK CHK: J. KOPPENHEFFER APPD: M. WALMSLEY	02AUG01 31MAY02 31MAY02	Tyco Electronics Harrisburg, PA 17105-3608
DIMENSIONS: mm 		TOLERANCES UNLESS OTHERWISE SPECIFIED: 9 PLC ± 1 PLC ±0.10 5 PLC ± 4 PLC ± ANGLES ±		NAME: CAGE ASSEMBLY, 11 PRESS FIT, SFP PRODUCT SPEC: 108-1950 APPLICATION SPEC: 114-13120 WEIGHT:
MATERIAL:		FINISH:		SIZE: A100779 CAGE CODE: C=1489669 SCALE: 5:1 SHEET 3 OF 3 REV: C2